

2016 – Oct – 28th

Dear Customer,

SUGIYAMA ELECTRIC SYSTEM INC.

Managing Director Yoshio Sugiyama

## Change in wiring method for die height detector PS-462/464

Thank you very much for your continued patronage of SUGIYAMA ELECTRIC SYSTEM.

We are pleased to inform you following that we will implement design change of our die height detector PS-462/464 due to production stoppage of present output connector of PS-462/464.

We apologize for any inconvenience involved in design change this may cause you, but we appreciate your cooperation and understanding.

### Note

1. Object product

PS-462、PS-462E、PS-462C、PS-464、PS-464E、PS-464C

2. Changed contents

- Changed wiring method from 12 P output connector and terminal block to merely terminal block.
- Add “ T ” to model code.  
PS-462T、PS-462TE、PS-462TC、PS-464T、PS-464TE、PS-464TC
- Change 12P power cable from the cable with connector to distributing cable.
- Accompanied by terminal block cover.

Please refer to the attached document for more information.

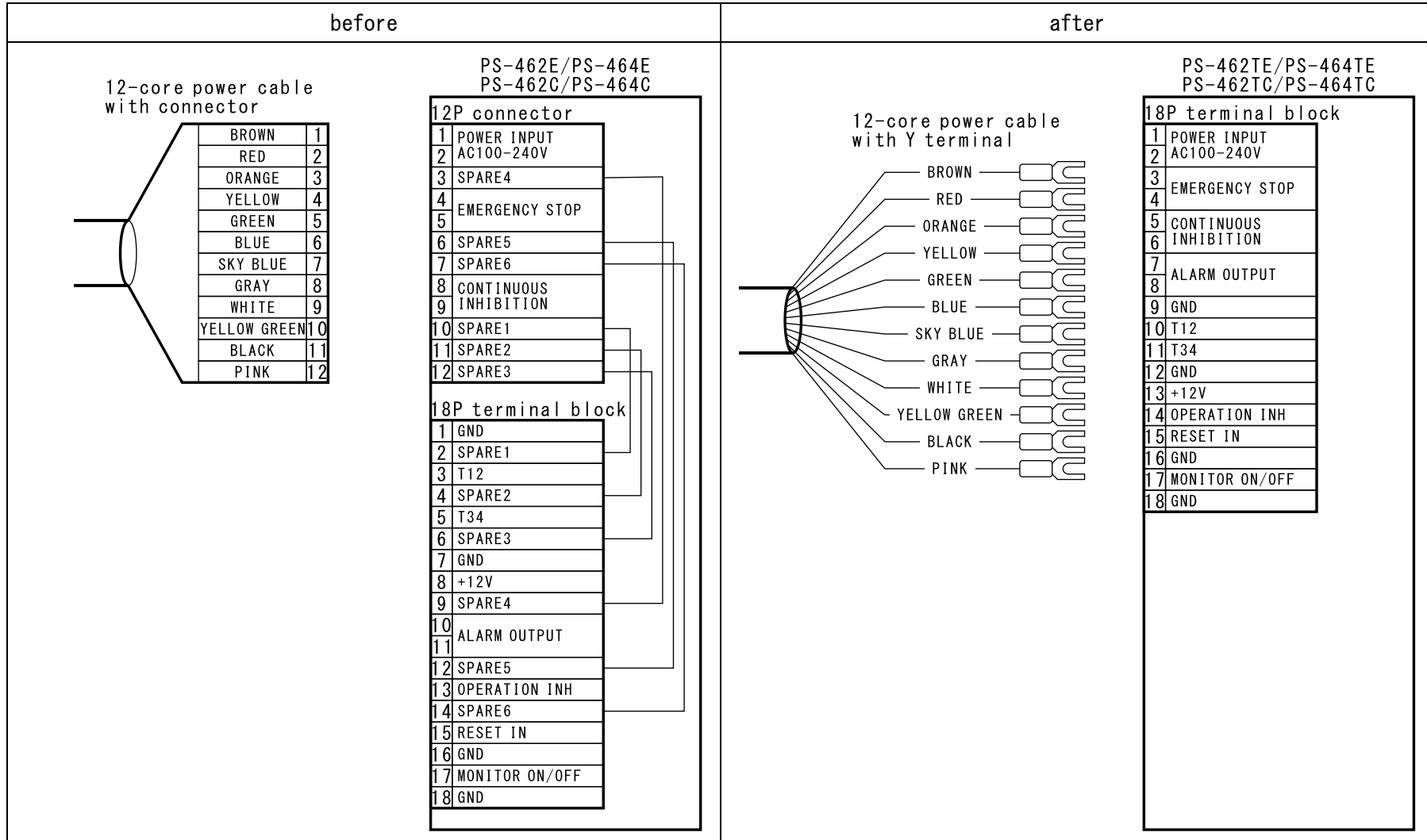
3. Effective date

It will be changed in series from the January 2017 shipment.

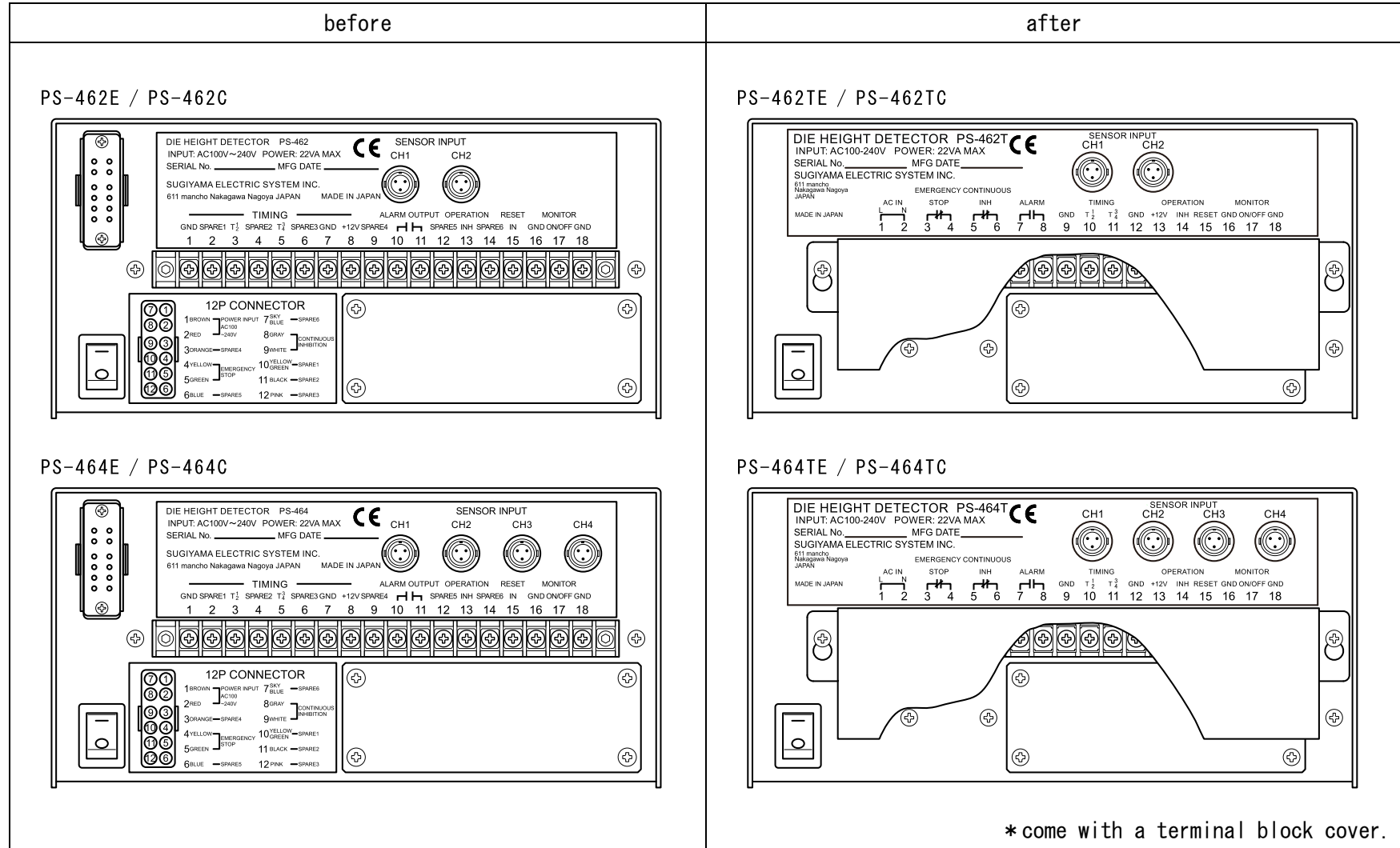
In addition, please contact our sales department whenever you find anything unclear.

The subject ends herewith

OWiring method



ORear panel



○Body

