



# SUGIYAMA ELECTRIC SYSTEM INC.

611Man-cho Nakagawa-ku Nagoya Aichi 454-0872 Japan  
TEL. 81-52-363-0501  
FAX. 81-52-351-7585

Contact sensor

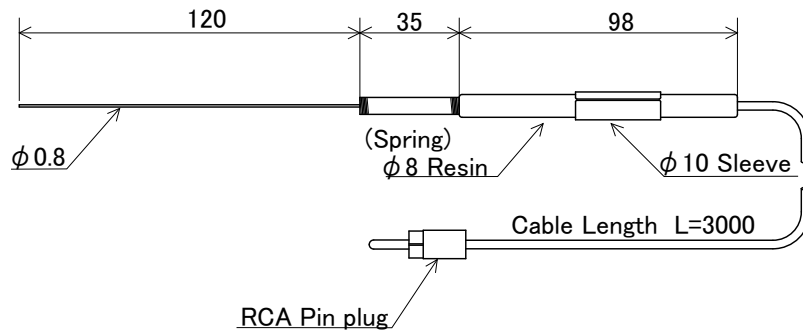
Spring sensor

The spring sensor is contact type sensor.

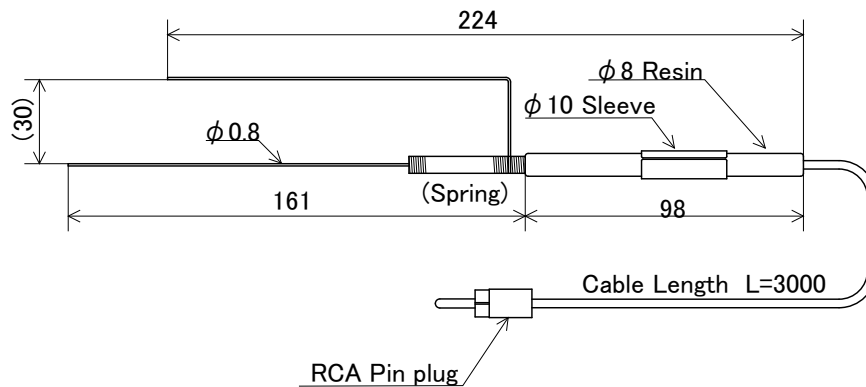
When a conductive workpiece contacts the sensor rod, the sensor circuit closes and an electric signal flows.

Therefore, this sensor can detect touch of only conductive workpiece.

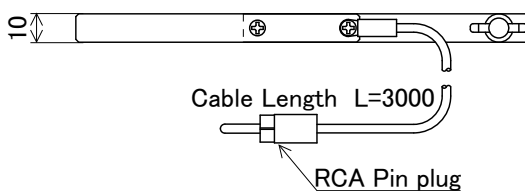
## US-1



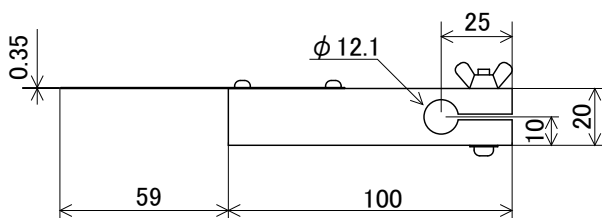
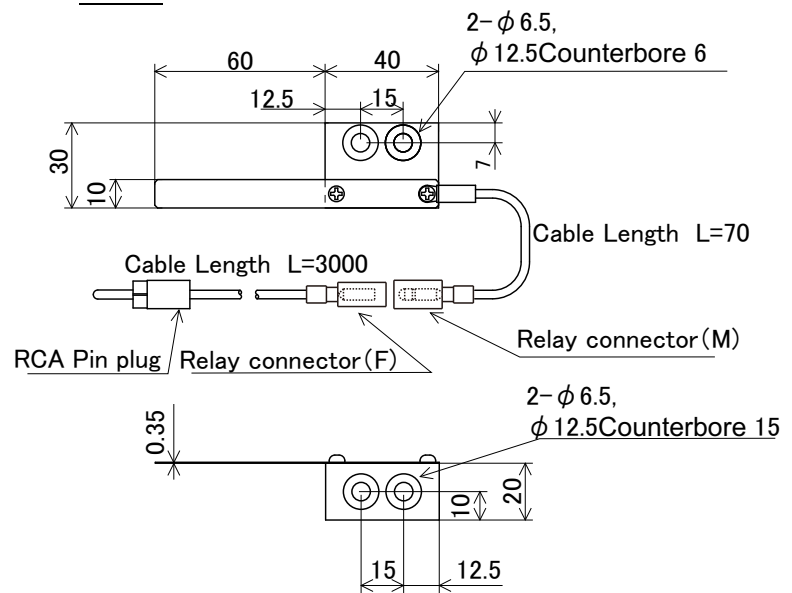
## US-2



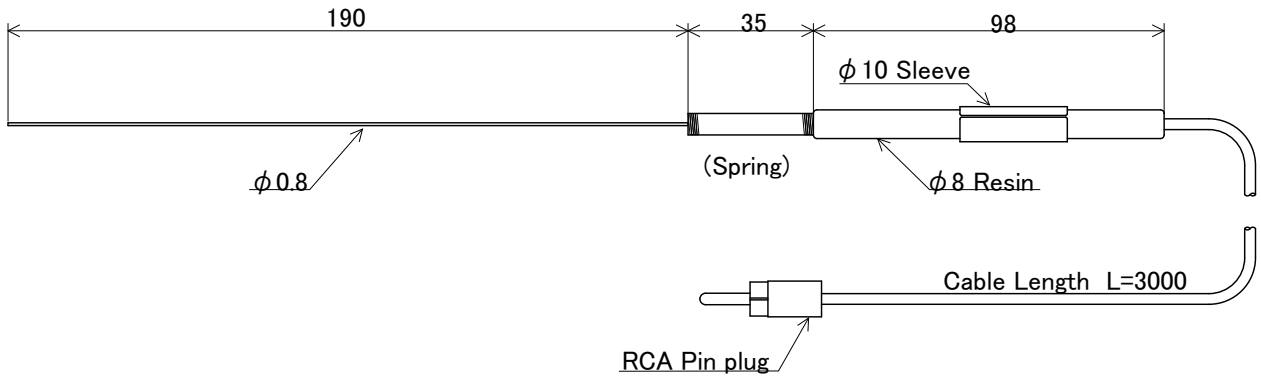
## US-3



## US-4



US-5



US-7S / 7L

