



SUGIYAMA ELECTRIC SYSTEM INC.

611 Man-cho Nakagawa-ku Nagoya Aichi 454-0872 Japan

TEL : 81-52-363-0501 FAX: 81-52-351-7585

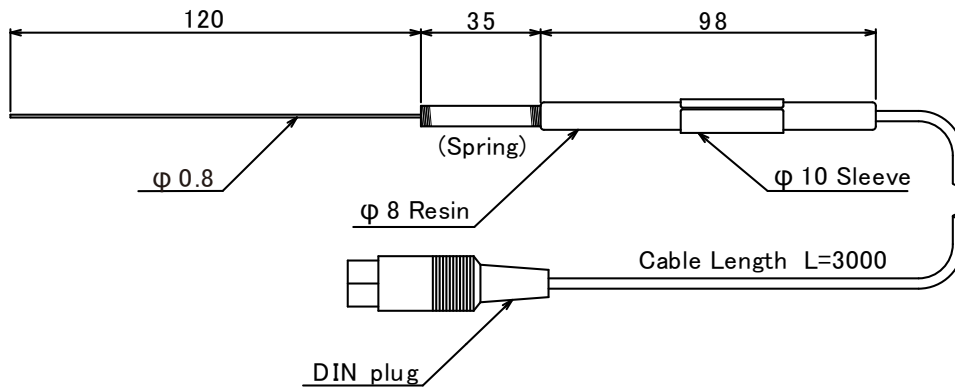
Contact Sensors

Series of USD

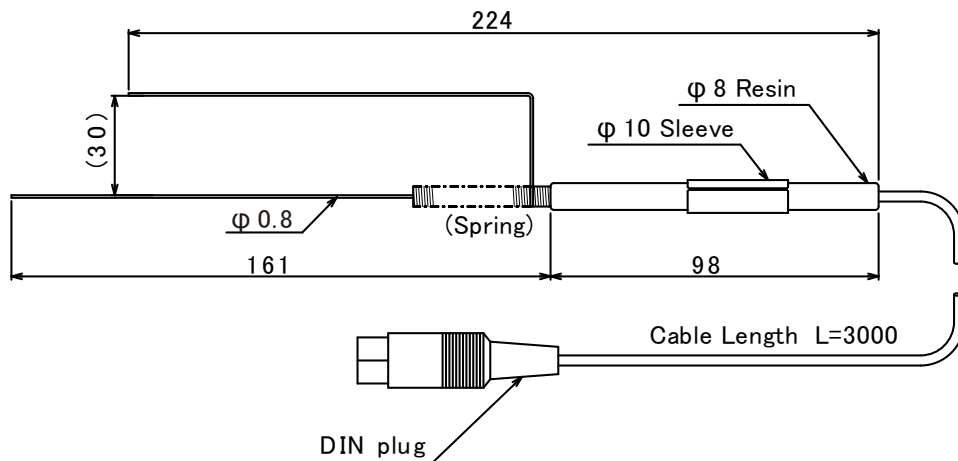
USD series is spring type or plate type contact sensor. Connector is DIN plug.

The lamp of USD-7 is lighting-up when the sensor contact with ground.

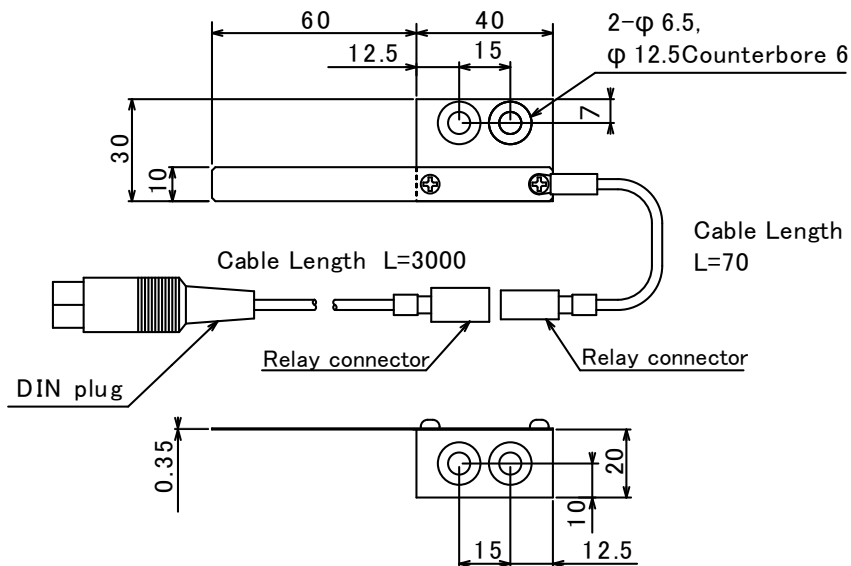
USD-1



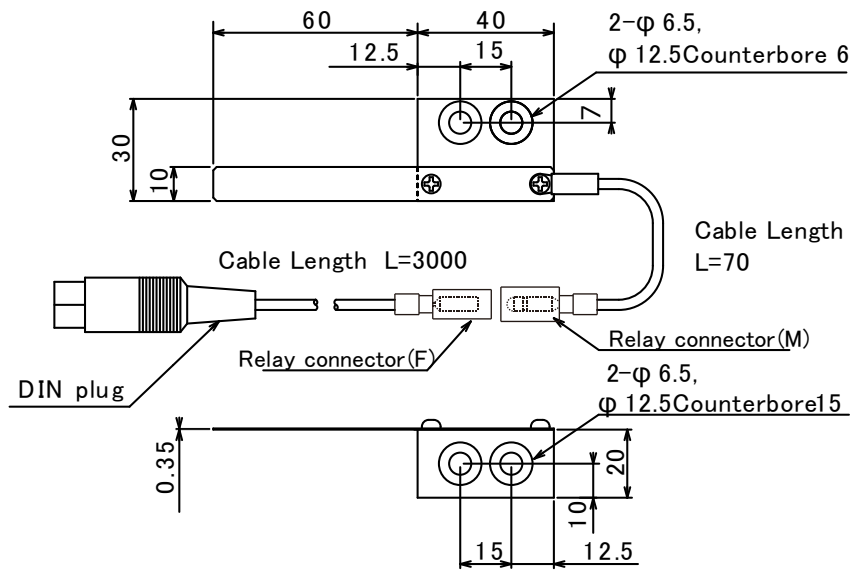
USD-2



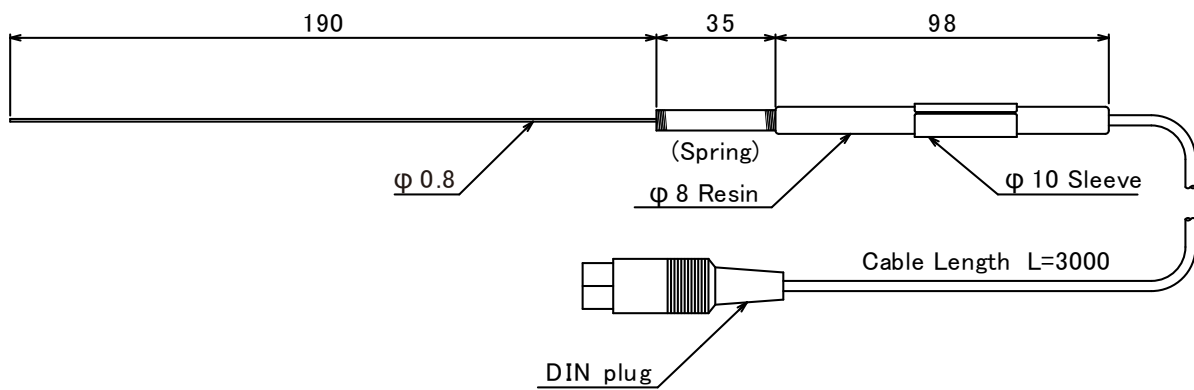
USD-3



USD-4



USD-5



US-7S/USD-7L

