



SUGIYAMA ELECTRIC SYSTEM INC.

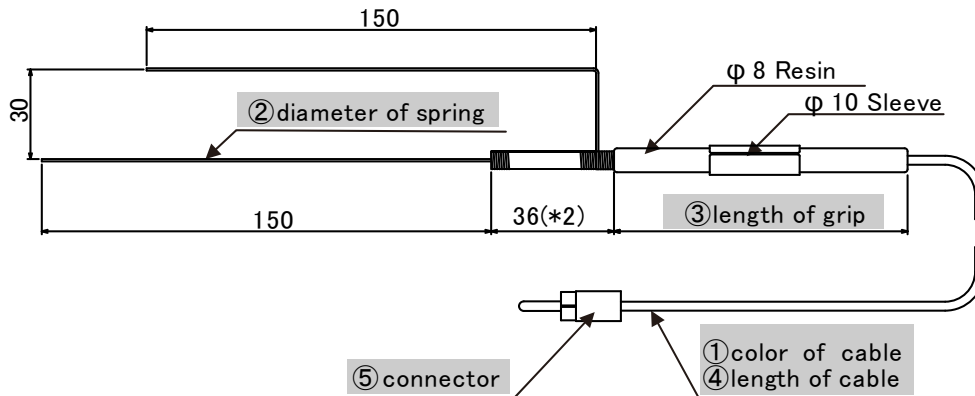
611 Man-cho Nakagawa-ku Nagoya Aichi 454-0872 Japan

TEL : 81-52-363-0501 FAX: 81-52-351-7585

Contact Sensors

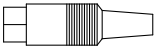
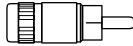
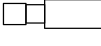
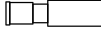
Series of USE

USE-2



(\*2) Length is set to 41 when the diameter of a spring is  $\phi 0.8\text{mm}$ .

Model Code : USE-2- BU 08 L 3000 P  
① ② ③ ④ ⑤

① color of cable		② diameter of spring		③ length of grip		④ length of cable		⑤ connector	
code	color	code	diameter	code	length	code	length	code	form of connector
BU	Blue	05	$\phi 0.5\text{mm}$	L	98mm	Please specify the length what you need. (Maximum 3000mm. Use the millimeter unit. Tolerance $\pm 15\%$ .)		DP	 DIN plug
R	Red	08	$\phi 0.8\text{mm}$	S	50mm			P	 equivalent to CN7017P
W	White	10	$\phi 1.0\text{mm}$					F	 equivalent to PC4009-F
Y	Yellow	12	$\phi 1.2\text{mm}$					M	 equivalent to PC4009-M
P	Pink	15	$\phi 1.5\text{mm}$					N	Without connectors
O	Orange								
BR	Brown								