



SUGIYAMA ELECTRIC SYSTEM INC.

611Man-cho Nakagawa-ku Nagoya Aichi 454-0872 Japan
TEL. 81-52-363-0501
FAX. 81-52-351-7585

Light sensor

LS-152/152M

LS-152 and LS-152M are retro-reflective photo sensors having 150 mm detective height.

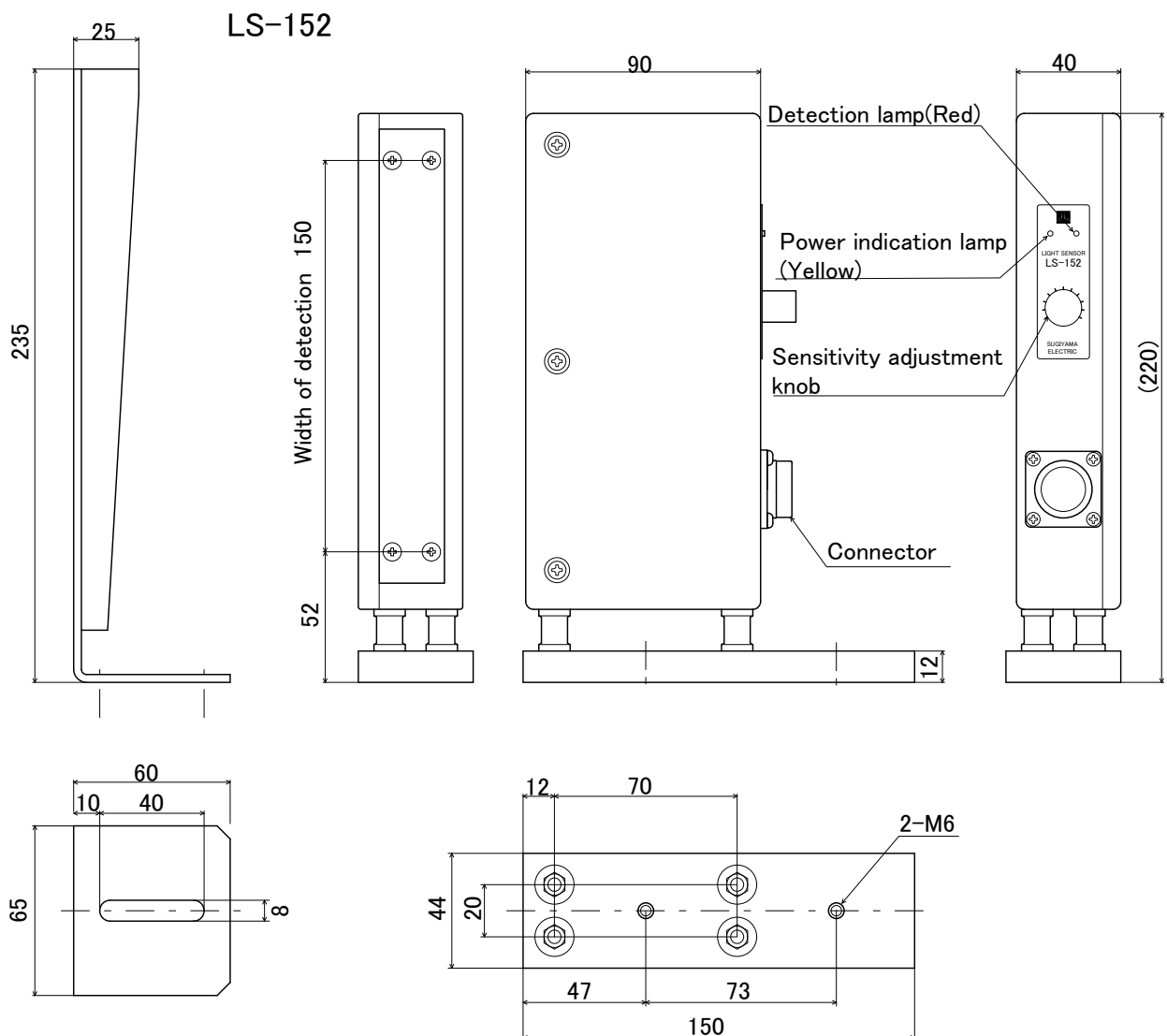
These photo sensors can detect passage of the target.

LS-152 is fixed on the flat bar.

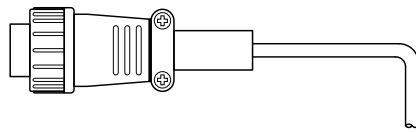
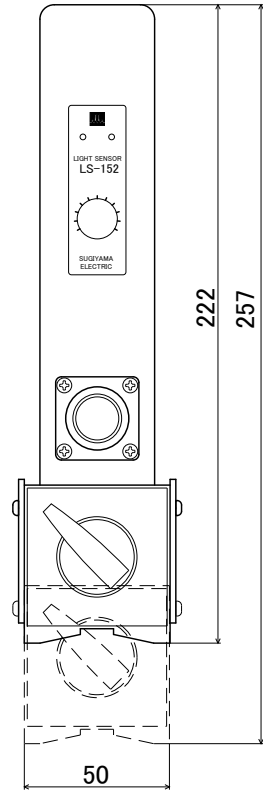
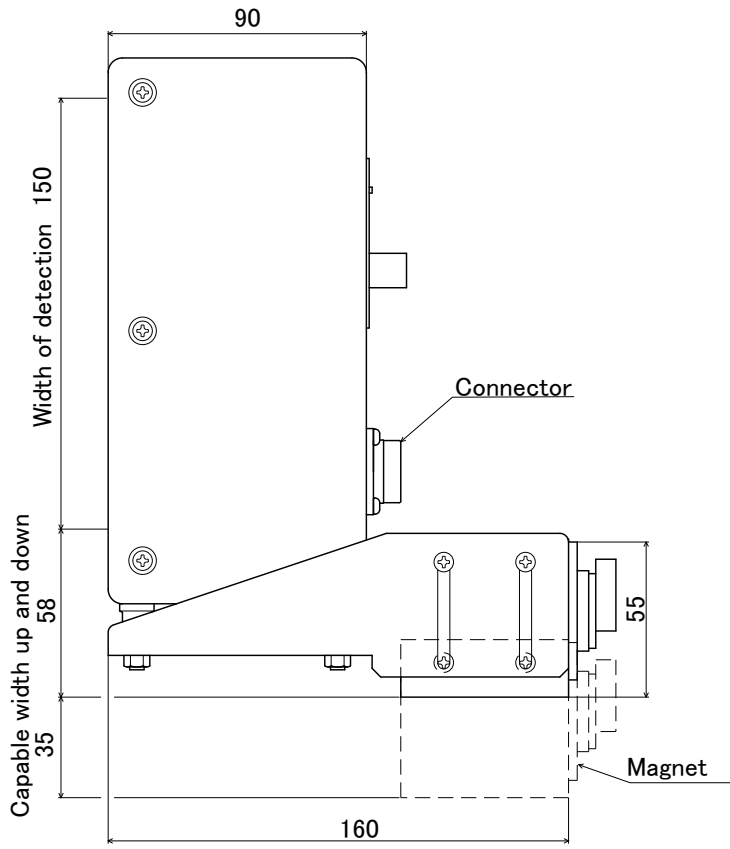
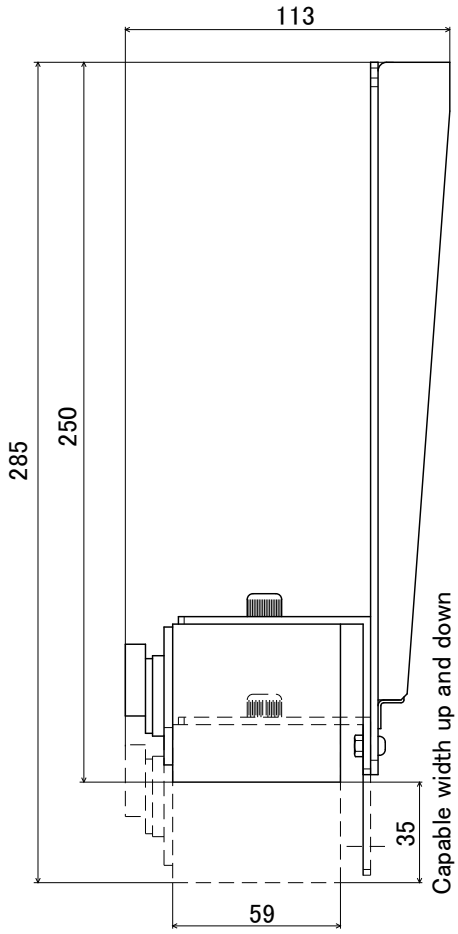
LS-152M is fixed on the magnetic base.

The photo transmitter and receiver units and reflector are separated.

Standard sensing object	Opaque, 3 mm dia. min.
Input configuration of Malfunction detector	NC
Power source	DC12 V \pm 5% 150 mA (max)
Output	NPN output of +12 V with Approx. 2.2 k Ω pull-up resistor.
Load current	50 mA (max)
Ambient temperature range	0~40°C



LS-152M



Cable Length $L=3000 \pm 50$

