

2023 – June

Dear Customer,

SUGIYAMA ELECTRIC SYSTEM INC.

Managing Director Masaaki Sugiyama



Change in wiring method for Safety device PS-661/662

Thank you very much for your continued patronage of SUGIYAMA ELECTRIC SYSTEM. We are pleased to inform you following that we will implement design change of our Safety device PS-661/662 due to production stoppage of present output connector of PS-661/662. We apologize for any inconvenience involved in design change this may cause you, but we appreciate your cooperation and understanding.

Note

1. Object product

PS-661、PS-661E、PS-661C、PS-662、PS-662E、PS-662C

2. Changed contents

- Changed wiring method from 12 P output connector and terminal block to merely terminal block.
- Add “ T ” to model code.
PS-661T、PS-661TE、PS-661TC、PS-662T、PS-662TE、PS-662TC
- Change 12P power cable from the cable with connector to distributing cable.
- Accompanied by terminal block cover.

Please refer to the attached document for more information.

3. Effective date

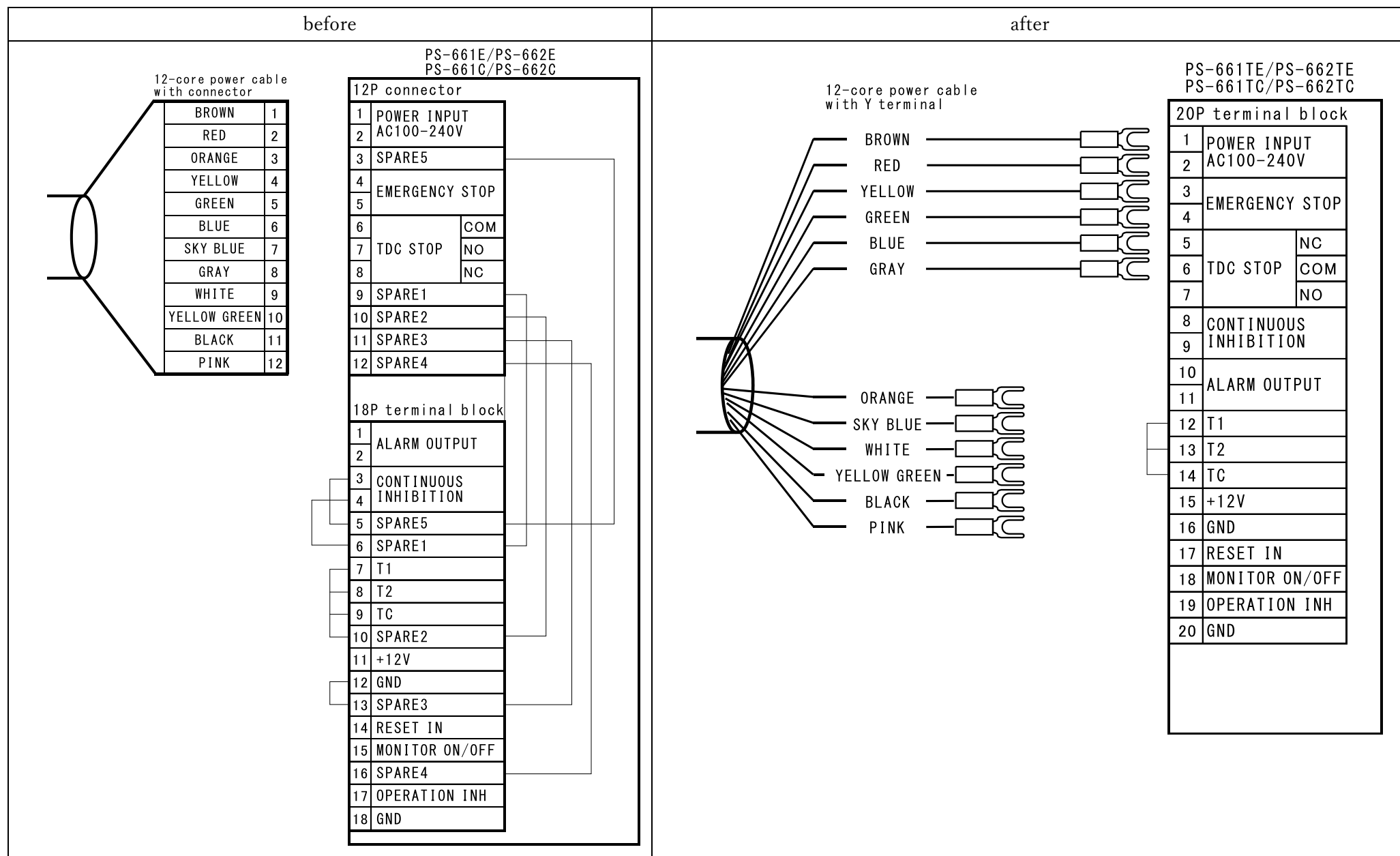
It will be changed sequentially from orders placed after July 21, 2023.

*From July onwards, Current products will be discontinued as soon as the stock runs out.

In addition, please contact our sales department whenever you find anything unclear.

The subject ends herewith

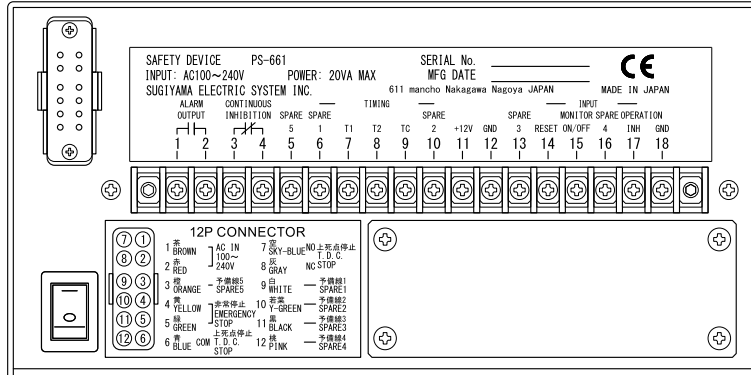
○Wiring method



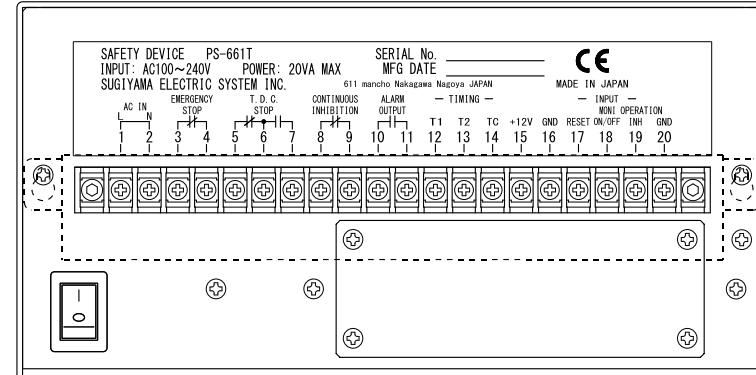
before

after

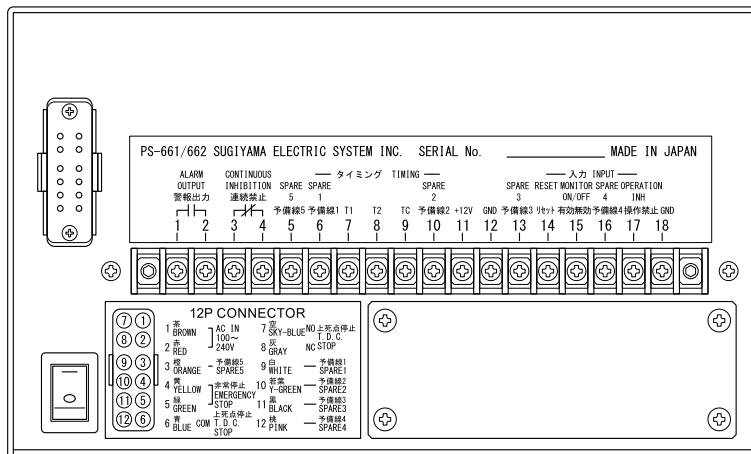
PS-661E / PS-661C



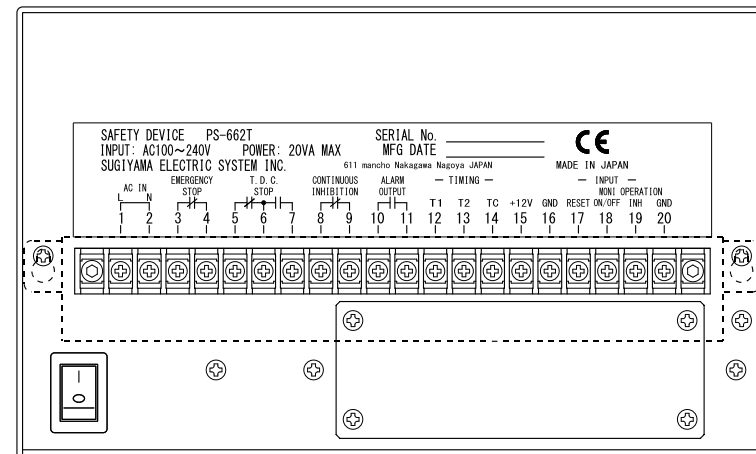
PS-661TE / PS-661TC



PS-662E / PS-662C



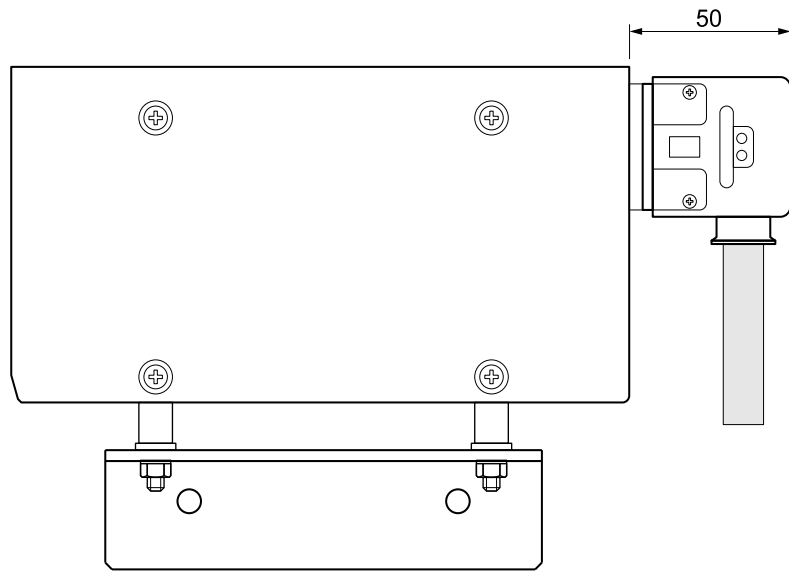
PS-662TE / PS-662TC



*come with a terminal block cover.

○Body

Before



after

