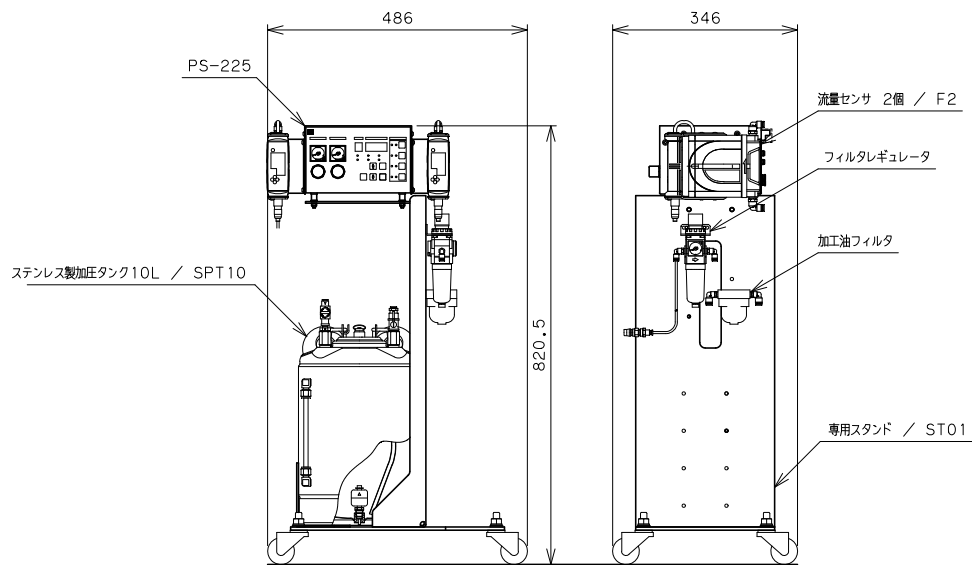



PS225-SPT10ST01F2



Dimensions are in millimeters.

	DATE 2021.07.14	TITLE PS225-SPT10ST01F2
 SUGIYAMA ELECTRIC SYSTEM INC.	A3 1:10	FILE PS225-SPT10ST01F2.DXF